



# NORMBAU

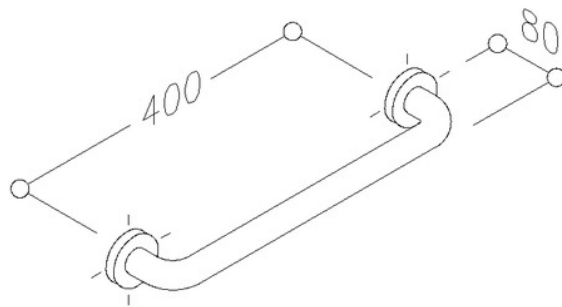
PASSION FOR CARE

## Inox Care Grab bar/Towel holder 2053040, c/c = 400mm

c/c = 400mm,  
made of stainless steel, material No. 1.4301 (A2, AISI 304), 32mm dia.,  
brushed finish, 70mm dia., steel cored roses, concealed fixing. Rose inners  
with compensation of wall differences.

Maximum loading permitted: 175 kgs.  
Supplied with 6mm dia x 70mm stainless Torx screws and plugs for solid  
masonry.

Product code	2053040
Product group	5600



NORMBAU GmbH  
Schwarzwaldstraße 15  
77871 Renchen/Germany  
Telefon +49(0)7843 / 704 - 0  
Telefax +49(0)7843 / 704 - 43  
[www.normbau.de](http://www.normbau.de) / [normbau@allegion.com](mailto:normbau@allegion.com)

